

POWERFULLY PRECISE, SUPERIOR PERFORMANCE. DUAL ENGINE COMBINATION MACHINE



 **VAC-CON**
MORE POWER TO YOU

TOUGH, INNOVATIVE, AND EFFICIENT - DESIGN YOUR DUAL ENGINE COMBINATION MACHINE TO MEET ALL YOUR NEEDS.

*SOME COMPONENTS SHOWN ARE NON-STANDARD.

AS SHOWN:

1. 180° Articulating Hose Reel, 600 ft. x 1 in.
2. Omnibus™ Precision Power
3. Manual Level Wind Guide
4. Cross-Linked Polyethylene Water Tanks
5. Diesel Auxiliary Engine
6. 3-Stage Fan with Centrifugal Separator
7. Hydraulic Reservoir
8. Aluminum Tool Boxes
9. Positive Seal Vacuum Breaker
10. 10 ft. Telescopic Boom with 270°Rotation
11. Hinged Boom Tie Down
12. Debris Body Dump Controls
13. Corten® Steel Debris Tank
14. External Load Level Indicator
15. Lateral Line Cleaning Kit
16. Water Pump with Suction Strainer

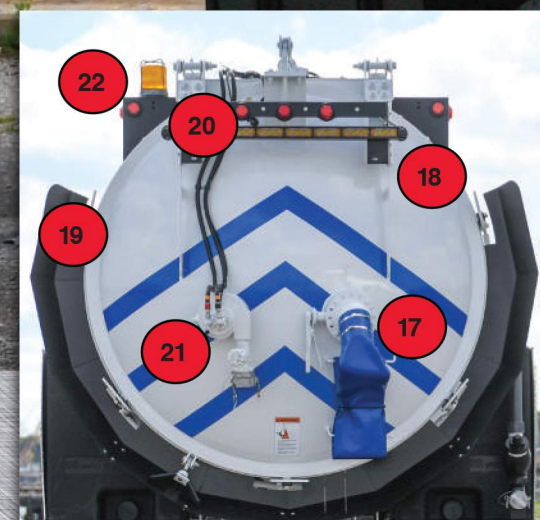
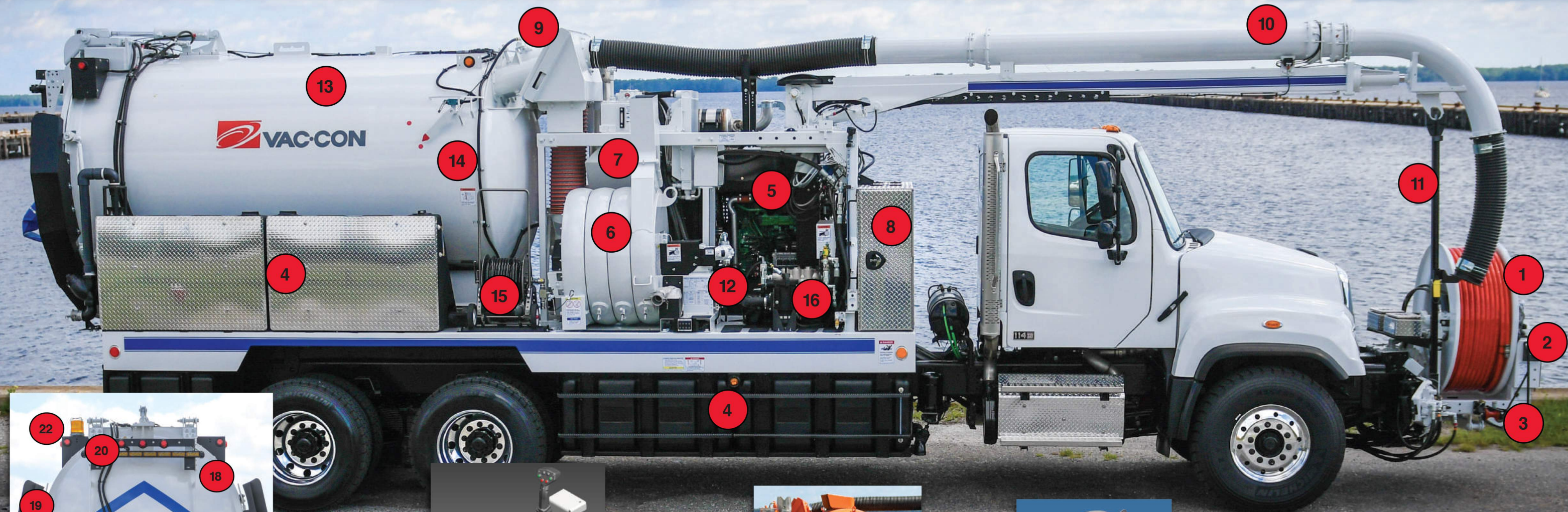
REAR DOOR:

17. 5 in. Butterfly Decant Valve
18. Full-Opening Rear Door with Hydraulic Locks
19. Splash Shield
20. Arrow Stick Lighting
21. Hydraulic Pump Off
22. Strobe Light

OPTIONS

- A. Omnibus™ Precision Power
- B. PD Blower
- C. Aeroboost™ 3-Stage Fan
- D. Centrifugal Compressor Quiet "Q" Drive (with Aeroboost Fan Only)
- E. Wireless Remote
- F. Mainframe Deck Coating
- G. Hydro-Excavation Package
- H. Safety Light Packages
- I. 5yd to 16yd Debris Tank
- J. 500 to 1500 gal. Water Capacity
- K. Hi-Dump

Consult Factory/Dealer for Additional Options



Rear Door

Operator friendly rear door features 5 in. Butterfly Decant Valve, Hydraulic Locks, and Splash Shield.



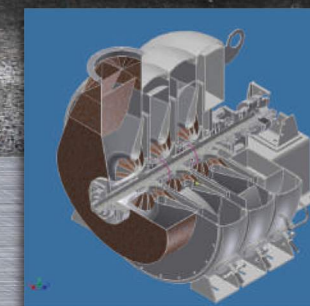
Omnibus™ Precision Power

The Omnibus Precision Power Control System provides complete control of machine functions from one centralized location, all with real-time diagnostics.



PD Blower

PD Blower with multiple ratings up to 27" Hg and 5,400 CFM.



Aeroboost™ 3-Stage Fan

Vac•Con's scientifically redesigned intake and fan housing results in a more balanced airflow, decreasing turbulence and allowing for more power, less noise and more reliability.



Wireless Remote

An integrated, enhanced control system that vastly improves usability and efficiency.



969 Hall Park Road | Green Cove Springs, FL 32043 | USA
PHONE (904) 284-4200 | FAX (904) 284-3305
www.vac-con.com | vns@vac-con.com

A subsidiary of Holden Industries, Inc., Vac-Con is a 100% employee-owned company.
©2016 Vac-Con, all rights reserved.